



VISHAY - Model 355 Load Cell



ATEX



Product Description

Model 3410 is a low profile shear beam load cell designed for high accuracy platform scales, pallet scales and process weighing applications. It has high immunity to shock or side loading and is available in 2 or 3mV/V sensitivity. Approved to OIML, NTEP standards. For hazardous environments this load cell is available with EEx ia IIC T6 level of European approval. Nickel plating and full environmental sealing assures long term reliability.

A stainless steel option is available for the lb versions for use in harsh or corrosive environments. The two additional sense wires feed back the voltage reaching the load cell. Complete compensation of changes in lead resistance due to temperature change and/or cable extension is achieved by feeding this voltage into the appropriate electronics.

Application

- Low profile platforms
- Loss-in-weight feeders
- Marine and hybrid scales
- Belt weighers

Basic Features

- Capacities 5 - 500kg
- Stainless steel construction
- OIML R60 and NTEP approved
- IP68 protection
- EEx ia IIC T6 hazardous area approval (Optional)
- FM approval available (optional)

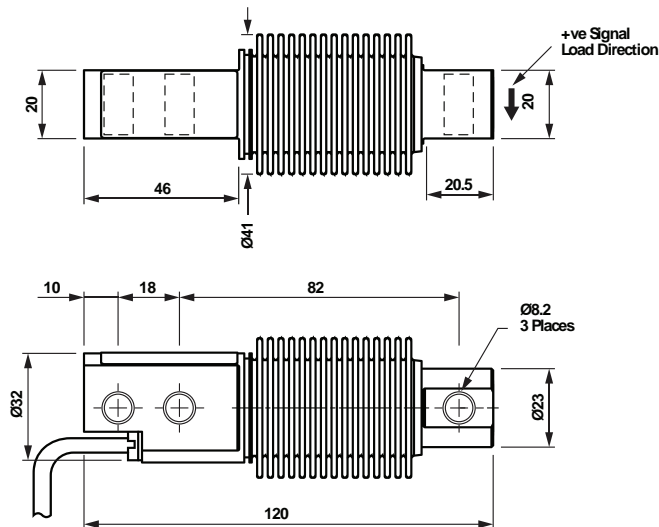
Specifications

PARAMETER	VALUE				UNIT
	NTEP	Non-Approved	C3*	C4**	
Rated capacity-RC (E _{max})	5, 10, 20, 30, 50, 100, 200, 250, 500				kg
NTEP/OIML Accuracy class	NTEP	Non-Approved	C3*	C4**	
Maximum no. of intervals(n)	4000 single	1000	3000	4000	
Y = E _{max} /V _{min}	5800	2000	15000	13333	Maximum available 15000
Rated output-R.O.	2.00 (UR matched 2.02)				mV/V
Rated output tolerance	0.002				±mV/V
Zero balance	0.2				±mV/V
Zero Return, 30 min.	0.0250	0.0500	0.0170	0.0130	±% of applied load
Total Error	0.0200	0.0300	0.0200	0.0150	±% of rated output
Temperature effect on zero	0.0023	0.007	0.0009	0.0011	±% of rated output/°C
Temperature effect on output	0.001	0.0040	0.0010	0.0008	±% of applied load/°C
Temperature range, compensated	-10 to +40				°C
Temperature range, safe	-20 to +70				°C
Maximum safe central overload	150				% of R.C.
Ultimate central overload	300				% of R.C.
Excitation, recommended	10				Vdc or Vac rms
Excitation, maximum	15				Vdc or Vac rms
Input impedance	380±10				Ohms
Output impedance	350±3				Ohms
Insulation resistance	>2000				Mega-Ohms
Cable length	3				m
Cable type	6 wire, braided, Polyurethane, dual coating screen				Standard
Construction	Stainless steel				
Environmental protection	IP68				
Recommended torque	22.0				N*m

* 20% utilization

** 30% utilization

Dimensions in mm



Wiring

Wiring Schematic Diagram

