

# CP3000 - LOW COST Surface Mounted Composite Weighbridge



## Surface composite weighbridge; the best cost value solution of the CP3000 series. The ultimate exportable weighbridge.

**Structural Integrity** - The weighbridge is composed of a steel formwork including high quality steel reinforcements and load cells foundation plates molded on the floor/ground on a sheet of nylon. Mounting of load cell placement is effected after the concrete has hardened.

**Modular Design** - The main steel frame together with the reinforcing is delivered in parts easily bolted and assembled together on site; for example the 18x3m model, it is composed of 6 pcs of approximate dimensions 6x1,6m , so when bolted together they compose a structure of 18x3m. This process reduces on-site large crane requirements(a fork lift is also enough) and also reduces transportation cost.

**Easy Installation**- The steel frame is placed on the ground on a sheet of nylon, which serves as a mold for the bottom of the platform. Mounting of load cells is effective after the concrete has hardened.

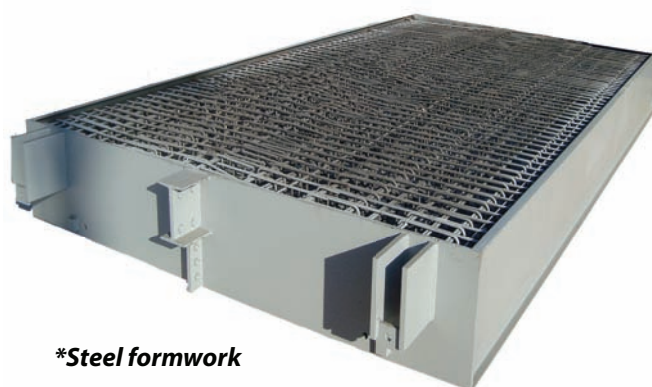
**Versatile** - Constructed in standard sizes (Length: 15 to 18m and Width: 3m) it can be also manufactured in different dimensions according to your special needs.

**Easy Service & Maintenance** - Practical access to load cells and junction box through the removable covers on the top.

**Finite Element Analysis** - Our structural design team incorporates the latest of Finite Element Analysis (FEA) technology. The optimum and robust weighbridge design achieved, ensures high durability and accurate functionality during operation.

**International Approvals** - All our products are OIML & EU-type approved.

**Applications** - Perfectly befitting applications with need for a concrete deck highly resistant.



**\*Steel formwork**

## Additional/Optional Features

- Galvanized version of the steel formwork.

# CP3000 - LOW COST Surface Mounted Composite Weighbridge



## Easy installation

The main steel frame together with the reinforcing is delivered in parts easily bolted and assembled on site. During installation, the modules of the frame are assembled together to a single module.



## Concrete to be poured on site

The concrete is poured on site. Normal concrete curing time applies.

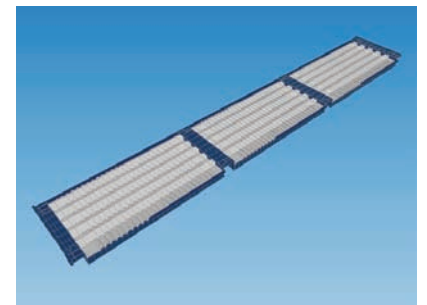
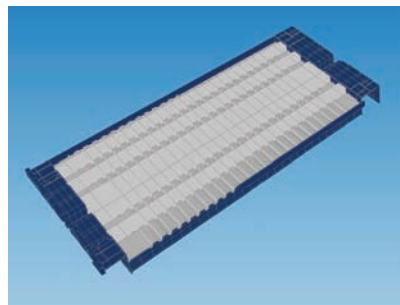
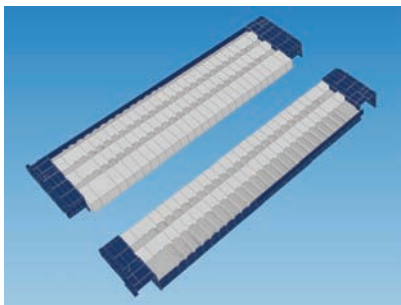


The steel formwork is placed above a nylon sheet



Model	L (m)	W (m)	Type	Profile (mm)	No of Load cells	Loading Capacity (Tn/Axle)	Indicative Capacity (Tn)	Concrete Volume (m <sup>3</sup> )
CP 3000-SC Easy	15	3	pitless	390	8	10	50	10,3
CP 3000-SC Easy	18	3	pitless	390	8	10	60	12,5
CP 3000-SC Easy	18	3,5	pitless	390	8	10	60	13

\* Other dimensions, according to your special requirements, can be also manufactured.



## Optional Equipment

### Weighing Indicators

Leon Engineering offers a wide range of digital indicators that are easy to operate and can be used in a variety of applications, from simple weighing to complex data manipulation.



### Analogue or Digital Load cells

Leon Engineering markets OIML & NTEP approved load cells that ensure reliability and accurate weighing, either in analogue or digital weigh-bridge configurations.



© Leon Engineering SA 2013. All rights reserved.

This publication is issued by Leon Engineering to provide information regarding its products. Leon Engineering reserves the right to alter without notice the specifications and design of any of its products at any time.

**Leon Engineering SA.**

Tsoka 8 - Thesi Xiropigado Mandra Attikis  
19600, Greece

Tel: +30 210 7770936, Fax: +30 210 7758925